



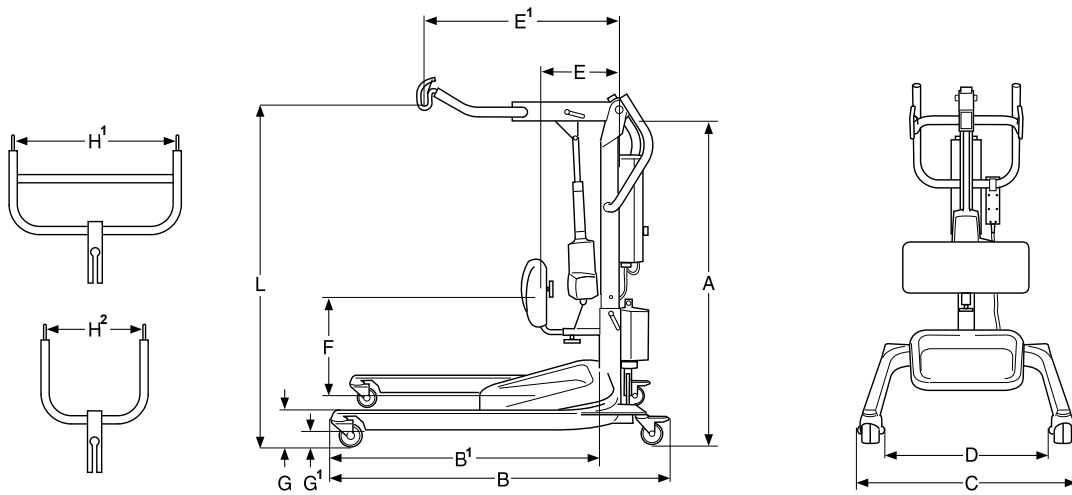
# Sabina II EE



## Three Lifts in One

Sabina differs from other sit-to-stand lifts. The well-thought-out accessories give several different possibilities in one single lift. And being able to adapt a raising motion or a lifting situation according to the patient's abilities obviously gives a better result than using the same solution for all patients.

Sabina has easily exchanged sling bars. The most common is the narrow sling bar (Slingbar 350) which is used with the Liko SupportVest or Liko SafetyVest. Patients who have pressure-sensitive armpits use the Comfort Slingbar and ComfortVest. Sabina can also, to a limited extent, be used as a lift for lifting sitting patients (so called passive lifting).



Max. load and weight in kg. Measurements in cm.

Slingbar alternatives	Max. load*	L** Max.	L** Min.	A** Max.	A** Min.	B	B'	C	D	E	E' (max)	F	G***	G****	H¹	H²	Weight Total	Weight Part	Turning diameter
Comfort Slingbar	200	160	80	110	100	106	86	69-110	53-97	26-34	61	30-40	11/16	5/9	60	35	45.2	22.7	118
Slingbar 350	200	172	80	110	100	106	86	69-110	53-97	26-34	65	30-40	11/16	5/9	60	35	45.2	22.7	118

Max. load and weight in lbs. Measurement in inch.

Slingbar alternatives	Max. load*	L** Max.	L** Min.	A** Max.	A** Min.	B	B'	C	D	E	E' (max)	F	G***	G****	H¹	H²	Weight Total	Weight Part	Turning diameter
Comfort Slingbar	440	63	31.5	43.3	39.4	41.7	33.9	27.2-43.3	21-38.2	10.2-13.4	24	11.8-15.7	4.3/6.3	2/3.5	23.6	13.8	99.6	50	46.5
Slingbar 350	440	67.7	31.5	43.3	39.4	41.7	33.9	27.2-43.3	21-38.2	10.2-13.4	25.6	11.8-15.7	4.3/6.3	2/3.5	23.6	13.8	99.6	50	46.5

- \* The maximum load for passive lifting is 150 kg / 330 lbs.
- \*\* Dimensions vary based on assembly options.
- \*\*\* The first dimension applies when using standard wheels (75 mm / 3 inch. wheel diameter).  
The second dimension applies when using large wheels (100 mm / 3.9 inch. wheel diameter).

## TECHNICAL DATA

Max. load: 200 kg (440 lbs.)  
 Batteries: 2 pcs, 12 V 2.9 Ah valve-regulated lead-acid gel batteries  
 Battery Charger: Built-in charger for 100-240 VAC, 50-60 Hz, max. 400 mA  
 Material: Powder-painted steel  
 Weight: 44 kg (97 lbs.)

### Product Number:

2020003 Sabina II EE (slingbar excl.)  
 2027002 Sabina II 350 Slingbar  
 2027003 Sabina II Comfort Slingbar  
 2027007 Sabina II SeatStrap Slingbar  
 2027101 Sabina II SideSupport



Sabina II EE has been tested by accredited testing institutes, and complies with the requirements for MDD Class 1 products (MDD 93/43/EEC). Sabina II EE comply with the requirements of IEC 60601-1, IEC 60601-1-2, EN ISO 10535, UL-60601-1 and CAN/CSA C22.2 No.601.1.

Design and Quality by Liko in Sweden.

Liko is quality-certified in accordance with ISO 9001 and its equivalent for the medical device industry, ISO 13485. Liko is certified in accordance with environmental standard ISO 14001



www.liko.com

### Manufactured by:

Liko AB  
 Nedre vägen 100  
 975 92 Luleå  
 Sweden  
 info@liko.se

### Local representative in UK

Hill-Rom Limited  
 Clinitron House, Ashby Park  
 Ashby de la Zouch,  
 Leicester LE65 1JG  
 Tel: 01530 411000  
 Fax: 01530 411555  
 info@liko.co.uk

### To find your local Liko representative,

please visit [www.liko.com](http://www.liko.com) or call  
 +46 (0)920 47 47 00



A Hill-Rom Company